

EL-7061S

Emergency Battery Backup Unit



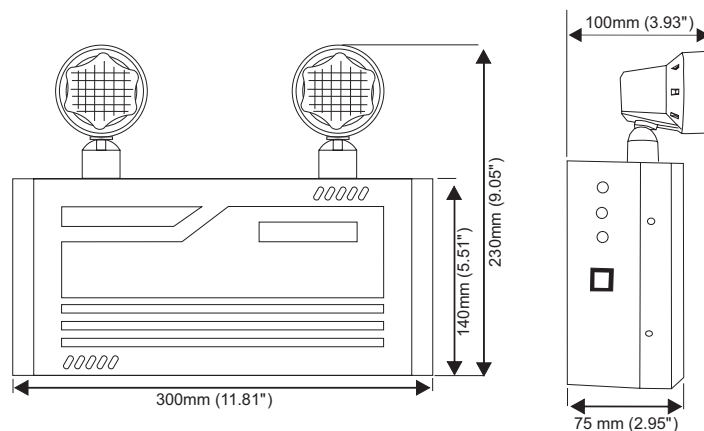
FEATURES	
Power (W)	2 W
Lamp Type	2x3 W LED
Input Voltage	120-347 VAC
Frequency	50/60 Hz
Battery Type	Sealed Lead Acid
Working Time	120 Minutes
Charging Time	24 Hours



DESCRIPTION

- Durable steel housing
- Wall mountable
- Input Voltage: 120 - 347VAC 50/60Hz
- LED technology
- 6V6Ah Sealed Lead Acid Battery
- 36W Remote Capable
- Test switch and charge indicator light
- Overcharge & Over-discharge protection
- Backup time: 120 minutes
- Suitable for damp locations
- Operating Temperature:
5 °C ~ 30 °C / 41 °F ~ 86 °F

TECHNICAL DRAWING



REMOTE ADD-ONS



EL-7030A (20pcs)



EL-7030B (10pcs)