

# Test & Drain Valve

nosredna **FLO**

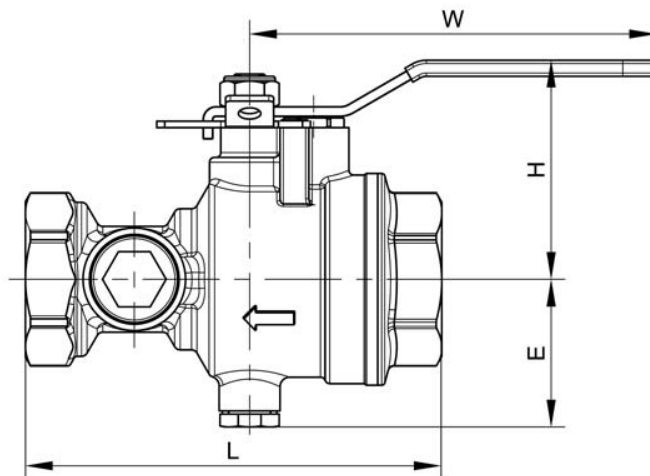
## - 300PSI Test & Drain Valve

- Complies with the requirements of NFPA 13, NPPA 13D, and NFPA 13R requirements.
- Combines the functions of test and drain for wet sprinkler systems.
- Single-handle ball valves with three working positions.
- Tamper resistant test orifice and sight glass for the visual control.
- The "OFF" position can be locked to avoid misoperation.
- NPT threads end (BSPT available).
- Specifiable orifice Sizes: 3/8"(K2.8), 7/16"(K4.2), 1/2"(K5.6), 17/32"(K8.0).
- FM Approved & UL/ULC Listed



### Materials:

Body	Forged Brass
Ball	Brass chrome plated
Seat	PTFE
Stem	304SS
Sight glasses	Polycarbonate
Indicator Plate	Steel
Handle	Steel



### Dimension:

Part Number	SIZE		L		H		E		W		Weight	
	in.	mm	in.	mm	in.	mm	in.	mm	in.	mm	lbs	kg
N-TD100	1	25	5.12	130	2.68	68	1.81	46	4.96	126	2.87	1.3
N-TD125	1 <sup>1</sup> / <sub>4</sub>	32	5.12	130	2.68	68	1.81	46	4.96	126	3.09	1.4
N-TD150	1 <sup>1</sup> / <sub>2</sub>	40	6.81	173	3.31	84	2.28	58	6.14	156	6.62	3.0
N-TD200	2	50	6.81	173	3.31	84	2.28	58	6.14	156	7.06	3.2